

Main specification parameter for cat 374 Track Link Assembly

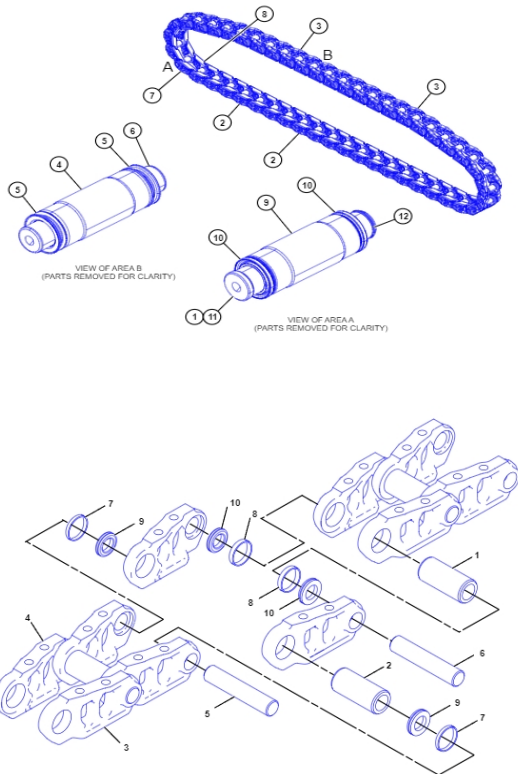
Brand	Model	Product Name	Part Number	Number of Track Sections	Weight
Caterpillar	374	excavator track link assembly	6138718	47	1712KG

Compatible Equipment Models: 6138718



374	374F	374F L
------------	-------------	---------------

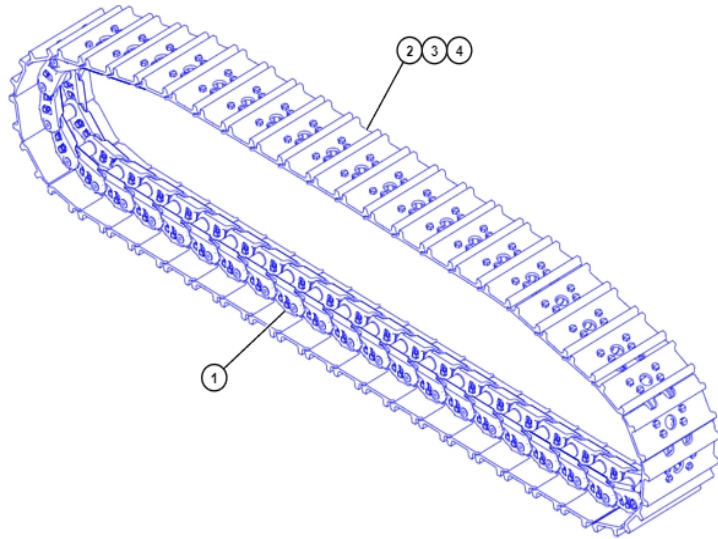
Product Details



Product Name	374 Track Link Assembly
Part Number	6138718
Origin	United States
Brand Name	STONE
Number of chain links	47
Model	374
Quality Assurance	6-12 Month
Price	Negotiable
Brand Name	STONE
Packing Details	Standard Export Packing
Delivery Time	0-30 Days
Payment Term	L/C, T/T
Price Term	FOB, CIF, CFR
Supply Capacity	50,0 PCS/Month
Minimum Order Quantity	1 PC
Material	High Quality Steel
Technology	Precision Machining
Surface	Treatment Anti-Corrosion Coating
Hardness	HRC 48-52
Quality	Original Factory Standard
After-Sales Service	Full Support, Online Service
Color	Standard Caterpillar Yellow or Customizable
Application	Excavator
Customizable	including customized materials, surface treatment and specifications

Excavator Track Link Assembly

6138718



©2024 Caterpillar Inc.

[Cookie 设置](#) [法律](#) [隐私](#)

[单独零件](#) [维修文章](#) [使用位置](#)

价格和供货情况 ▾

零件号	零件名称
1 613-8718	履带链节组件
Y	
2 626-7137	履带板
3 144-0805	履带螺栓 (M27X2X78-MM)
M	
4 144-0806	履带螺母

STONE: Construction machinery parts expert in China



We are committed to providing a variety of parts including bulldozers, excavators and wheel loaders for well-known brands such as Carter and Komatsu. Our product line covers a full range of OEM parts, such as Track Chain, Track Rollers, Sprocket, Excavator Buckets, Blades, Excavator Cylinders, Swing Circles, and various electrical and hydraulic components to ensure that our customers' stringent requirements for quality and performance are met.



Stone (Shanghai) Engineering Machinery Co., Ltd. is a leading supplier of engineering machinery parts, focusing on providing high-quality parts for mining companies. Since its establishment in 2004, we have been based in Shanghai, China, and have built our own brand STONE, becoming a trusted choice in the industry.