

Main specification parameter for Support Roller

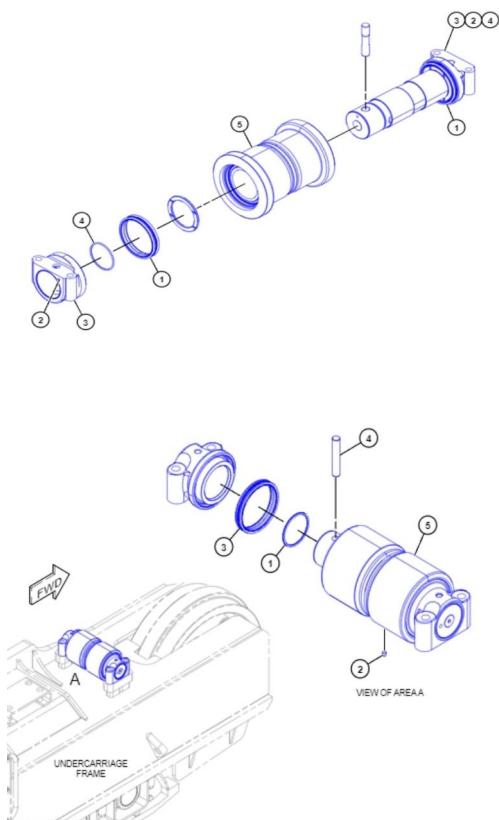
Brand	Model	Product Name	Part Number	Assembly Quantity	Weight
Caterpillar	390F	Excavator Support Roller	3550374	1	176.9kg

Assembly Compatible Equipment Models: 3550374

390F	390F L
------	--------



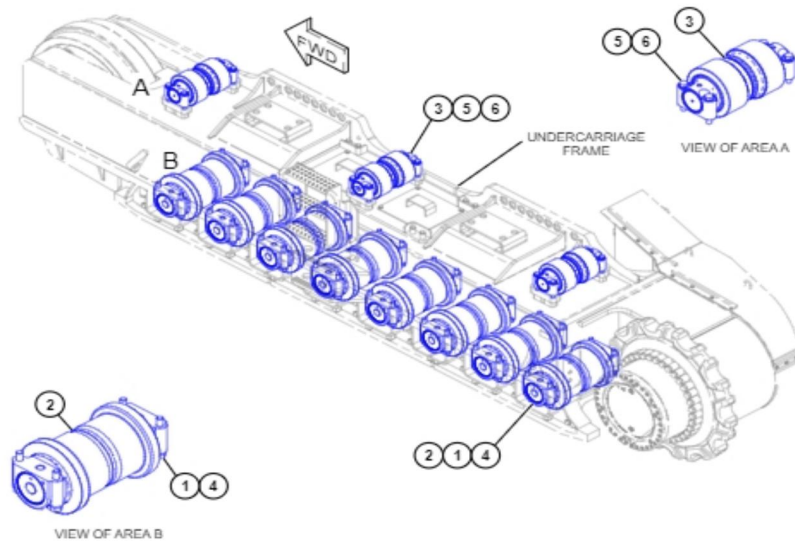
Product Details



Product Name	Cat 390F Excavator Support Roller
Part Number	3550374
Origin	United States
Model	390F
Quality Assurance	6-12 Month
Price	Negotiable
Brand Name	STONEa
Packing Details	Standard Export Packing
Delivery Time	0-30 Days
Payment Term	L/C, T/T
Price Term	FOB, CIF, CFR
Supply Capacity	1000 PCS/Month
Minimum Order Quantity	1 PC
Material	High Quality Steel
Technology	Precision Machining
Surface	Treatment Anti-Corrosion Coating
Quality	Original Factory Standard
After-Sales Service	Full Support, Online Service
Color	Standard Caterpillar Yellow or Customizable
Application	Excavator
Customizable	including customized materials, surface treatment and specifications

Excavator Support Roller

3550374



STONE: Construction machinery parts expert in China



We are committed to providing a variety of parts including bulldozers, excavators and wheel loaders for well-known brands such as Carter and Komatsu. Our product line covers a full range of OEM parts, such as Track Chain, Track Rollers, Sprocket, Excavator Buckets, Blades, Excavator Cylinders, Swing Circles, and various electrical and hydraulic components to ensure that our customers' stringent requirements for quality and performance are met.



Stone (Shanghai) Engineering Machinery Co., Ltd. is a leading supplier of engineering machinery parts, focusing on providing high-quality parts for mining companies. Since its establishment in 2004, we have been based in Shanghai, China, and have built our own brand STONE, becoming a trusted choice in the industry.

Stone (Shanghai) Engineering Machinery Co., Ltd
sale@shmpine.com [whatsapp:+8613671661119](https://www.whatsapp.com/+8613671661119)